



Electrical Characteristics

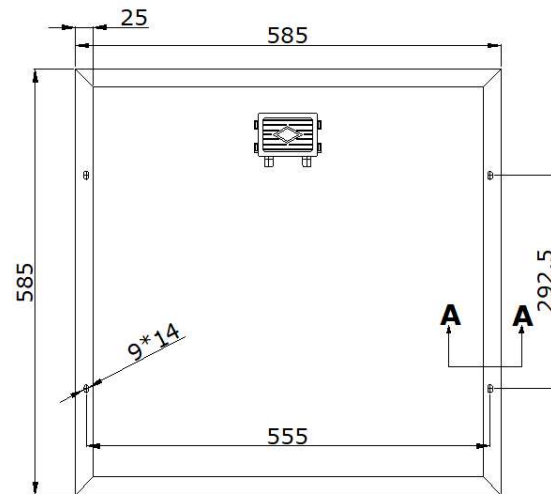
SM60M-24

Maximum power at STC (Pmax)	60W
Optimum operating voltage (Vmp)	34.0V
Optimum operating current (Imp)	1.7A
Open-circuit voltage (Voc)	40.8V
Short-circuit current (Isc)	1.9A
Short-circuit current temperature coefficient	(0.065±0.015)%/°C
Open-circuit voltage temperature coefficient	-(80±10)mV/C
Peak power temperature coefficient	-(0.5±0.05)%/C
NOCT (Air 20□; Sun 0.8kW/m wind 1m/s)	47±2C
Operating temperature	-40C to 85C
Maximum system voltage	600V DC
Power tolerance	±3%
STC: Irradiance 1000W/m ² , Module temperature 25C, AM=1.5	

Features

- Nominal 24V DC for standard output.
- High efficiency.
- Outstanding low-light performance.
- High transmission tempered glass.
- Rugged design to withstands high wind pressure and snow load, easy installation.
- Aesthetic appearance.
- Design to meet unique demand of customer.
- 10 year module output warranty.

Dimension



Specification

SM60M-24

Cell	Mono-crystalline silicon solar cells
No. of cell and connection	60 (3×20)
Dimension of module	585mm×585mm×25mm
Weight	3.6 kg

Specifications are subject to change without notice at any time.